

LIFETIME WARRANTY

We want our customers to be happy so our lifetime warranty is simple; if your BLK LBL Bipod is defective or ever fails due to quality or workmanship just return it to us and we will fix it or replace it. Obviously we cannot cover negligent or abusive use of our product, but if you happen to drive over it with your truck or drop it off a cliff, send it to us and we will do our best to fix it for a reasonable cost. Our warranty, of course, only covers the BLK LBL Bipod and not any accessories mounted to it nor the firearm to which it is mounted.

Please direct all warranty claims to info@blklblbipod.com

INSTALLATION

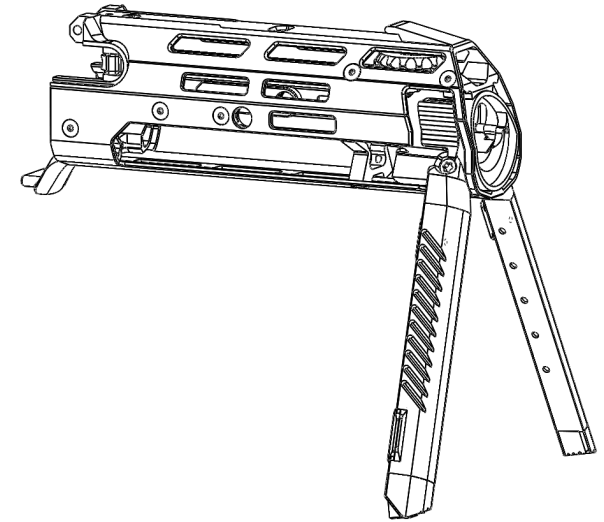
WARNING!

1. Treat the firearm as if it is loaded at all times. Keep the muzzle pointed in a safe direction. Confirm the firearm is unloaded.
2. Reference the NSSF rules of firearms safety at <https://www.nssf.org>
3. Remove the existing handguard using the instructions in the IWI X95 owners manual.
4. Install the BLK LBL X95 Handguard on the X95 rifle by sliding it over the barrel assembly, ensuring the rail bushing inserts into the end of the top rail.
5. Re-install the hand grip assembly ensuring the tab on the forward part of the handgrip inserts into the recess on the BLK LBL X95 Handguard.
6. Re-install 3mm fastening screw using Loctite 242 or equivalent.

BLK LBL
— BIPOD

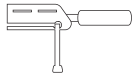
IWI X95

HANDGUARD W INTEGRATED BIPOD
OWNER'S MANUAL



SPECIFICATIONS

INTEGRATED DESIGN



Suppressor Compatible



Center Bore Cant



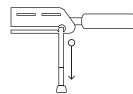
Durable Construction



Compatible IWI X95



Lightweight



Extendable Legs

Technical Specifications

	Short (209mm / 8.2in)	Long (248mm / 9.7in)
Width	49mm / 1.9in	49mm / 1.9in
Height	74mm / 2.9in	74mm / 2.9in
Weight	478g / 16.8oz	526g / 18.5oz

Range of Motion

Cant: 40 Degrees

Leg Length: 150mm / 6in - 225mm / 9in

HOW TO USE

To engage the bipod:

Pull the feet of the bipod legs outwards from the bottom of the handguard one at a time.

To stow away the bipod:

Push in the top of the ball button. This will unlock the leg. Completely fold in one leg at a time to properly align the ring. See Figure 1.

Adjust Tension:

The tensioning wheel allows you to adjust the sensitivity of the cant motion. Turn the wheel clockwise or counter-clockwise to adjust tension. See Figure 2 & 3.

Leg Extension:

Press down the button on the inside of each leg and move downwards until the approximate desired height is reached, release button and continue pulling until the leg button clicks into its locked position. See Figure 4.

CAUTION - When the bipod legs are extended the barrel of the rifle is exposed in the area where the legs are stowed when folded. DO NOT place your hands, or any other body part, on or near the rifle barrel or burns could result.

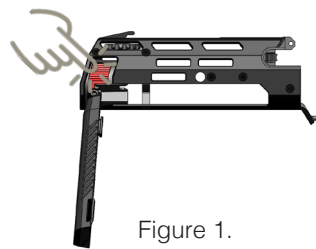


Figure 1.

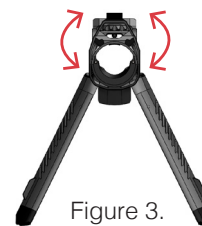


Figure 3.

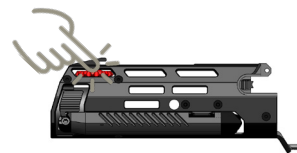


Figure 2.



Figure 4.

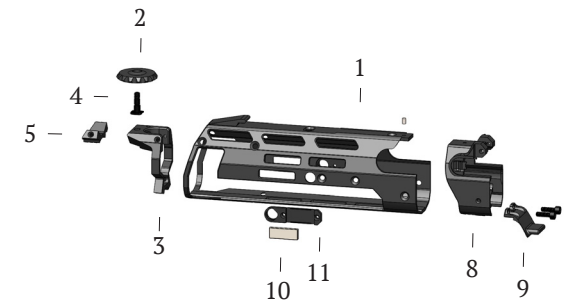
MAINTENANCE

PROTECTION

Built with anodized and nitrided parts, the BLK LBL Bipod can withstand most environmental conditions. However only proper care can keep your bipod in good operating condition and maintain its appearance.

CLEANING

Clean as you would your rifle. Never use corrosive cleaning products as these can severely damage the aluminum.



Major Parts (Replacable)

1. Handguard
2. Tension Wheel
3. Rear Brace
4. Brake Stud
5. Forward Brace
6. Ring
7. Ring Button
8. Front Coupler
9. Rear Coupler
10. Magnet
11. Magnet Retainer
12. Magnet Bar
13. Leg Button
14. Outer Leg
15. Inner Leg
16. Rubber Feet

