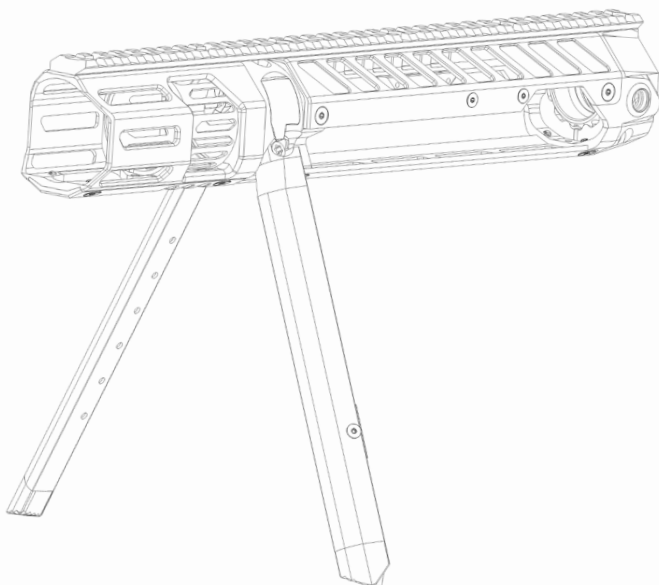


# BLK LBL

— BIPOD

OWNER'S MANUAL



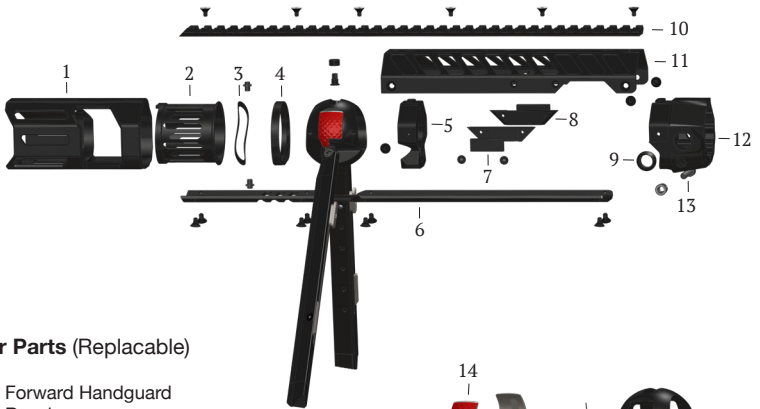
Tikka T3X TAC A1

Thank you for your purchase of the BLK LBL Bipod™.

With improved accuracy, lightweight construction, added stability and an expanded range of motion, the BLK LBL™ Bipod is the new pinnacle of bipod technology. Whether you're in law enforcement, the armed forces, a sport shooter or hunting in the great outdoors, this bipod gives you exactly what you're looking for; improved performance.

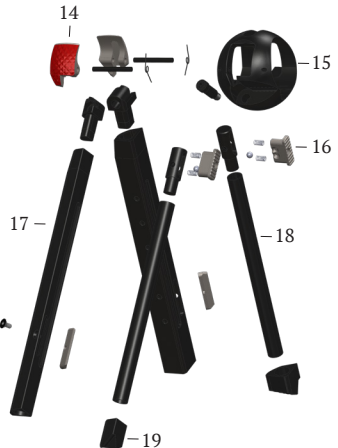
The bipod's innovative and durable barrel-through design provides exceptional stability, while the ball and socket joint provides fluid movement for improved target acquisition and accuracy. When stowed the bipod's folding legs lie flush with the hand guard offering unrestricted hand positions when you need to shoot offhand.

Please welcome your game changer: **The BLK LBL Bipod™.**



### Major Parts (Replacable)

1. Forward Handguard
2. Revolver
3. Wave Spring
4. Forward Cup
5. Rear Cup
6. Bottom brace
7. Magnet
8. Magnet Clamp
9. QD Inserts
10. Upper Rail
11. Upper Handguard
12. Barrel Nut Clamp
13. Barrel Nut Clamp Screw
14. Ball Button
15. Ball
16. Leg Button
17. Outer Leg
18. Inner Leg
19. Rubber Feet



# Specifications



## INTEGRATED DESIGN

BLK LBL™ bipod is crafted from durable anodized aluminum, and nitrided steel.



## 40° TILT

With 40° of tilt, the “ball and socket” design allows you to level the scope on uneven terrain without adjusting leg lengths.



## REAR FOLDING LEGS

Rear folding legs stow flush with the hand guard profile for ease of movement, off-hand shooting and storage.

## EXTENDABLE LEGS

With the push of a button the carbon fibre bipod legs extend from 6.5” to 9.5” and lock in place. Rugged rubber feet grip the surface for added stability.

Technical Specifications	Range of Motion	Attachment points
Weight: 726g/26oz	Tilt: 40 Degrees	Top: 355mm/14” Picatinny
Length: 358mm/14”	Pan: 15 Degrees	Rail
Width: 52mm/2”	Leg Length: 165mm/6.5”-241mm/9.5”	Bottom: 5 Slot M-LOC
Height: 63mm/2.5”	Maximum ground slope for level shot: 45 Degrees	Forward: Optional 2”/4” Picatinny Rail

# Installation Process

## ITEMS FROM KIT

1. Bipod
2. Barrel nut clamp screw



## TOOLS NEEDED

- T27 Torx or Torx plus driver



## INSTALLATION

The BLK LBL bipod must be installed by a qualified gunsmith

1. Reference the NSSF rules of firearms safety <https://www.nssf.org/safety/rules-firearms-safety/>
2. Keep the muzzle of the gun pointed in a safe direction at all times and confirm the gun in unloaded
3. Remove the existing handguard. Follow the instructions provided with your Tikka Rifle. You will need to remove the muzzle brake if installed.
4. Loosen and remove the barrel nut clamp screw from the barrel nut clamp on the BLK LBL bipod.
5. Slide the BLK LBL bipod over the end of the barrel until it meets the chassis. Align the top rail on the BLK LBL bipod with the rail on the upper receiver.



6. Re-install the barrel nut clamp screw and torque to 70-80 in-lb (8-9 Nm).
7. Confirm the BLK LBL bipod is free floating and does not touch the barrel.

# Maintenance

## PROTECTION

Protected with anodized and nitrided parts, the BLK LBL Bipod can withstand many environmental impacts. However only proper care can keep your bipod in good operating condition and maintain it's appearance.

## PROPER USE

### To engage the bipod:

Pull the feet of the bipod legs outwards from underneath the barrel one or two at a time.

**To stow away the bipod:** Push in the top of the ball button. This will unlock the leg. Completely fold in one leg at a time to properly align the ball.

### Adjust Tension:

The tensioning revolver allows you to adjust the sensitivity of the pan and tilt motions. Turn the revolver clockwise or counter-clockwise to adjust tension.

### Leg extension:

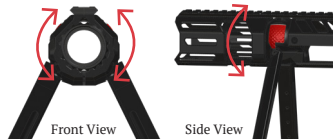
Press down the button on the inside of each leg and move downwards until the approximate desired height is reached, release button and continue pulling until leg button clicks into its locked position.

**CAUTION** - When the bipod legs are extended the barrel of the rifle is exposed in the area where the legs are stowed when folded. DO NOT place your hands, or any other body part, on or near the rifle barrel or burns could result.

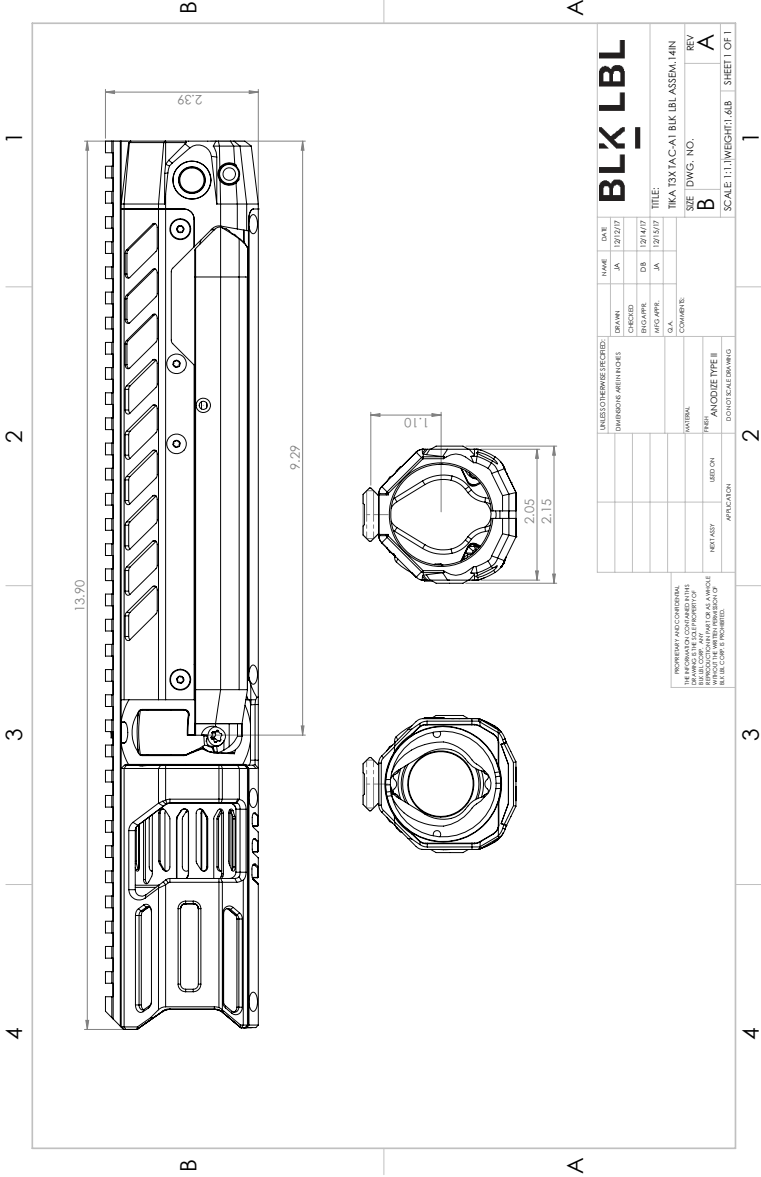
## CLEANING

Clean as you would your rifle. Never use corrosive cleaning products as these can severely damage the aluminum.

If your bipod gets dirty, feel free to wash it with water, dish soap, or mild degreaser, then restore it with gun oil.



# Critical Dimensions

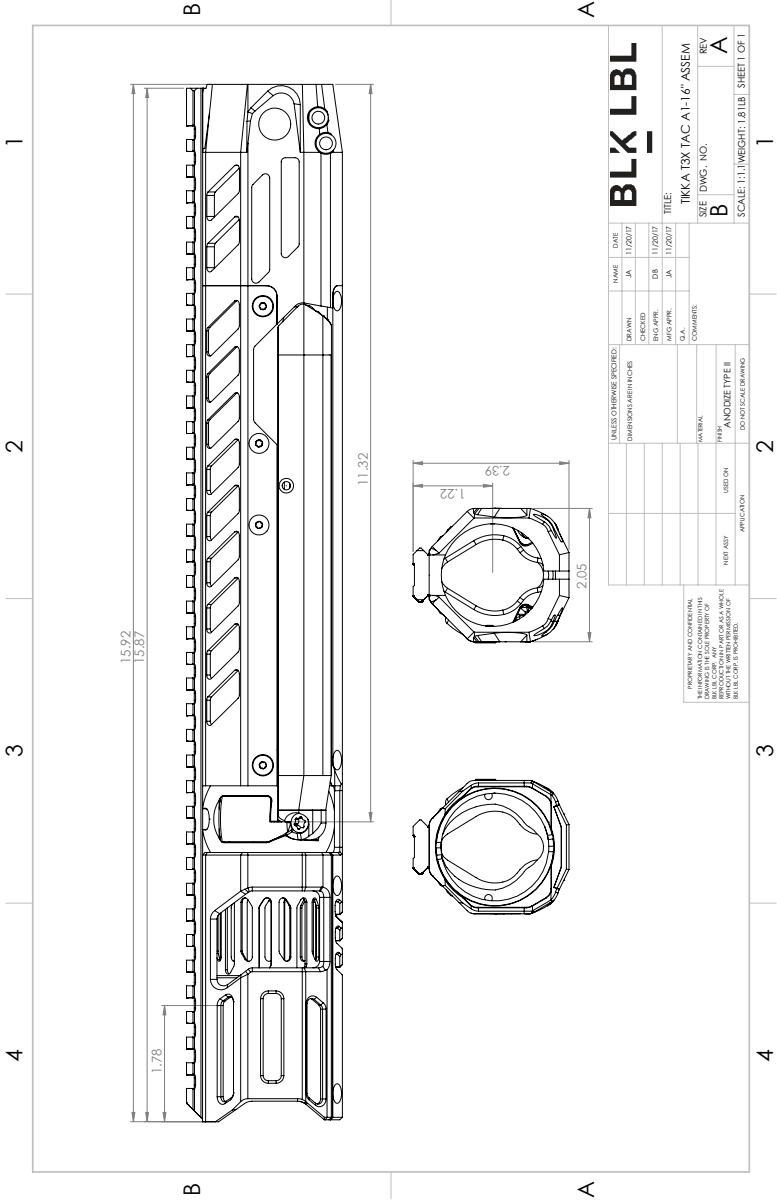


UNLESS OTHERWISE NOTED:		NAME	DATE
DRIVEN	JA	19/12/17	
DRAWN	JA	19/12/17	
CHECKED	DB	19/12/17	
APPROVED	JA	19/12/17	
DATE	JA	19/12/17	
TITLE: TIKKA TIKX TAC-A1 BK LBL ASSEMBLY			
SCALE: 1:1			
DWG. NO. B			
REV A			
SHEET 1 OF 1			

REVISIONS AND COMMENTS  
 TO BE RECORDED CONTAINED WITHIN  
 THIS DRAWING. ALL DIMENSIONS ARE IN  
 MILLIMETERS UNLESS OTHERWISE  
 SPECIFIED.

REVISION	DATE	DESCRIPTION

APPROVAL	DATE	DESCRIPTION



**BLK LBL**

NAME	DATE	UNLESS OTHERWISE SPECIFIED: DIMENSIONS IN INCHES
JA	11/20/17	
DRAWN	CHKD	
JA	11/20/17	
ENG APPR	DATE	
JA	11/20/17	
COMMENTS		

TITLE: TIKKA TSK TAC A1 1 1/2" ASSEM

SIZE: DWG. NO. **B** REV **A**

SCALE: 1:1 (WEIGHT: 1.8 LB) SHEET 1 OF 1

PROPERTY AND CONFIDENTIAL INFORMATION. NO PART OF THIS DRAWING OR THE INFORMATION CONTAINED HEREIN IS TO BE REPRODUCED OR TRANSMITTED IN ANY FORM OR BY ANY MEANS, ELECTRONIC OR MECHANICAL, INCLUDING PHOTOCOPYING, RECORDING, OR BY ANY INFORMATION STORAGE AND RETRIEVAL SYSTEM, WITHOUT THE WRITTEN PERMISSION OF THE COMPANY. VIOLATION IS PROHIBITED.

FOR MARK: \_\_\_\_\_  
 PART AND/OR TYPE: \_\_\_\_\_  
 USED ON: \_\_\_\_\_  
 HEAVY ASST: \_\_\_\_\_  
 APPLICATION: \_\_\_\_\_  
 ISOTHERMAL DRAWING

# Lifetime Warranty

---

We want our customers to be happy so our lifetime warranty is simple; if your BLK LBL bipod is defective or ever fails due to quality or workmanship just return it to us and we will fix it or replace it. Obviously we cannot cover negligent or abusive use of our product, but if you happen to drive over it with your truck or drop it off a cliff, send it to us and we will do our best to fix it for a reasonable cost. Our warranty, of course, only covers the BLK LBL bipod and not any accessories mounted to it nor the firearm to which it is mounted.