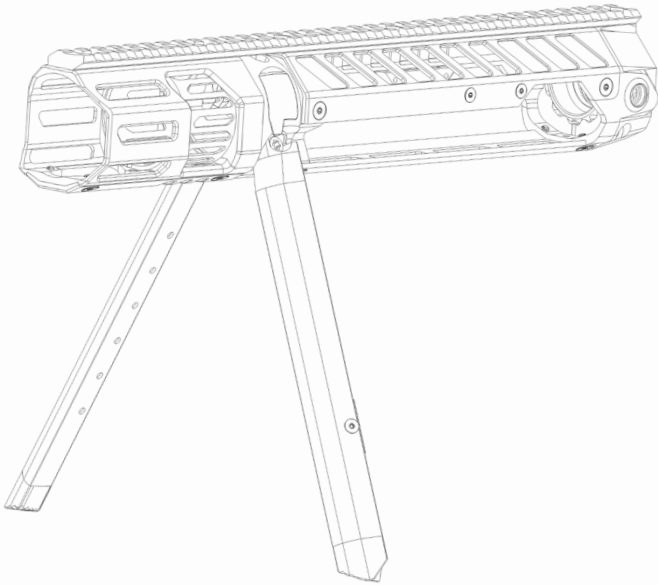


BLK LBL

— BIPOD

OWNER'S MANUAL



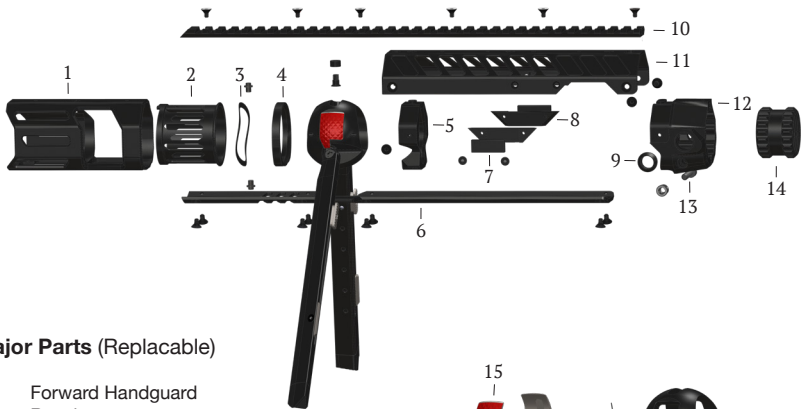
AR-10

Thank you for your purchase of the BLK LBL Bipod™.

With improved accuracy, lightweight construction, added stability and an expanded range of motion, the BLK LBL™ Bipod is the new pinnacle of bipod technology. Whether you're in law enforcement, the armed forces, a sport shooter or hunting in the great outdoors, this bipod gives you exactly what you're looking for; improved performance.

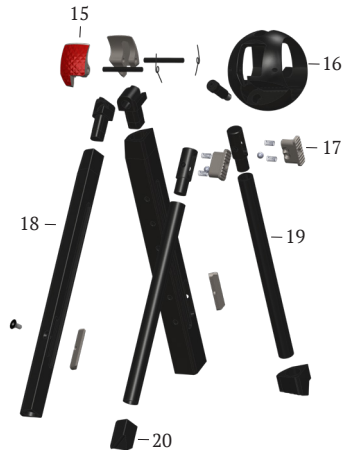
The bipod's innovative and durable barrel-through design provides exceptional stability, while the ball and socket joint provides fluid movement for improved target acquisition and accuracy. When stowed the bipod's folding legs lie flush with the hand guard offering unrestricted hand positions when you need to shoot offhand.

Please welcome your game changer: **The BLK LBL Bipod™.**



Major Parts (Replacable)

1. Forward Handguard
2. Revolver
3. Wave Spring
4. Forward Cup
5. Rear Cup
6. Bottom brace
7. Magnet
8. Magnet Clamp
9. QD Inserts
10. Upper Rail
11. Upper Handguard
12. Barrel Nut Clamp
13. Barrel Nut Clamp Screw
14. Barrel Nut
15. Ball Button
16. Ball
17. Leg Button
18. Outer Leg
19. Inner Leg
20. Rubber Feet



Specifications



INTEGRATED DESIGN

BLK LBL™ bipod is crafted from durable anodized aluminum, and nitrided steel.



40° TILT

With 40° of tilt, the “ball and socket” design allows you to level the scope on uneven terrain without adjusting leg lengths.



REAR FOLDING LEGS

Rear folding legs stow flush with the hand guard profile for ease of movement, off-hand shooting and storage.

EXTENDABLE LEGS

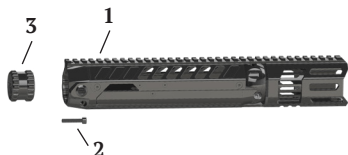
With the push of a button the carbon fibre bipod legs extend from 6.5” to 9.5” and lock in place. Rugged rubber feet grip the surface for added stability.

Technical Specifications	Range of Motion	Attachment points
Weight: 821g/29oz	Tilt: 40 Degrees	Top: 355mm/14” Picatinny
Length: 403mm/16”	Pan: 15 Degrees	Rail
Width: 54mm/2”	Leg Length: 165mm/6.5”-241mm/9.5”	Bottom: 5 Slot M-LOC
Height: 61mm/2”	Maximum ground slope for level shot: 45 Degrees	Forward: Optional 2”/4” Picatinny Rail

Installation Process

ITEMS FROM KIT

1. Bipod
2. Barrel Nut Clamp Screw
3. Barrel Nut



INSTALLATION

1. Reference the NSSF rules of firearms safety <https://www.nssf.org/safety/rules-firearms-safety/>
2. Keep the muzzle of the gun pointed in a safe direction at all times and confirm the gun is unloaded
3. Remove the existing handguard, gas block, gas tube and barrel nut if applicable. There are multiple resources online that detail the proper removal of each component depending on your specific setup.
4. Install the BLK LBL barrel nut supplied and torque to spec. The mil-spec tightening sequence is as follows. Torque the barrel nut to 35 lb ft (47.5 Nm). Loosen. Torque to 35 lb ft again. Loosen. Torque past 35 lb ft until the next groove in the barrel nut aligns with the hole in the upper receiver. Do not exceed 80 lb ft (108.5 N m). Use the provided shims if required to properly clock the barrel nut to ensure a groove in the barrel nut is aligned with the hole in the upper receiver and the barrel nut is torqued to between 35 and 80 lb ft (47.5 to 108.5 N m).

TOOLS NEEDED

- T27 Torx or Torx Plus Driver
- Armors Wrench



The BLK LBL bipod must be installed by a qualified gunsmith



5. Re-install the gas block and gas tube. Please note that a low profile gas block is required for proper installation.
6. Loosen and remove the barrel nut clamp screw from the barrel nut clamp on the BLK LBL bipod.
7. Slide the BLK LBL bipod over the end of the barrel until it meets the barrel nut. Align the top rail on the BLK LBL bipod with the rail on the upper receiver.
8. Re-install the barrel nut clamp screw and torque to 70-80 lb in 8-9 Nm.
9. Confirm the BLK LBL bipod is free floating and does not touch the barrel or gas block.

Maintenance

PROTECTION

Protected with anodized and nitrided parts, the BLK LBL Bipod can withstand many environmental impacts. However only proper care can keep your bipod in good operating condition and maintain it's appearance.

PROPER USE

To engage the bipod:

Pull the feet of the bipod legs outwards from underneath the barrel one or two at a time.

To stow away the bipod: Push in the top of the ball button. This will unlock the leg. Completely fold in one leg at a time to properly align the ball.

Adjust Tension:

The tensioning revolver allows you to adjust the sensitivity of the pan and tilt motions. Turn the revolver clockwise or counter-clockwise to adjust tension.

Leg extension:

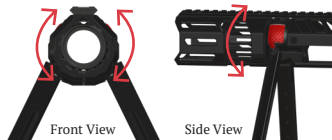
Press down the button on the inside of each leg and move downwards until the aproximate desired height is reached, release button and continue pulling untill leg button clicks into its locked position.

CAUTION - When the bipod legs are extended the barrel of the rifle is exposed in the area where the legs are stowed when folded. DO NOT place your hands, or any other body part, on or near the rifle barrel or burns could result.

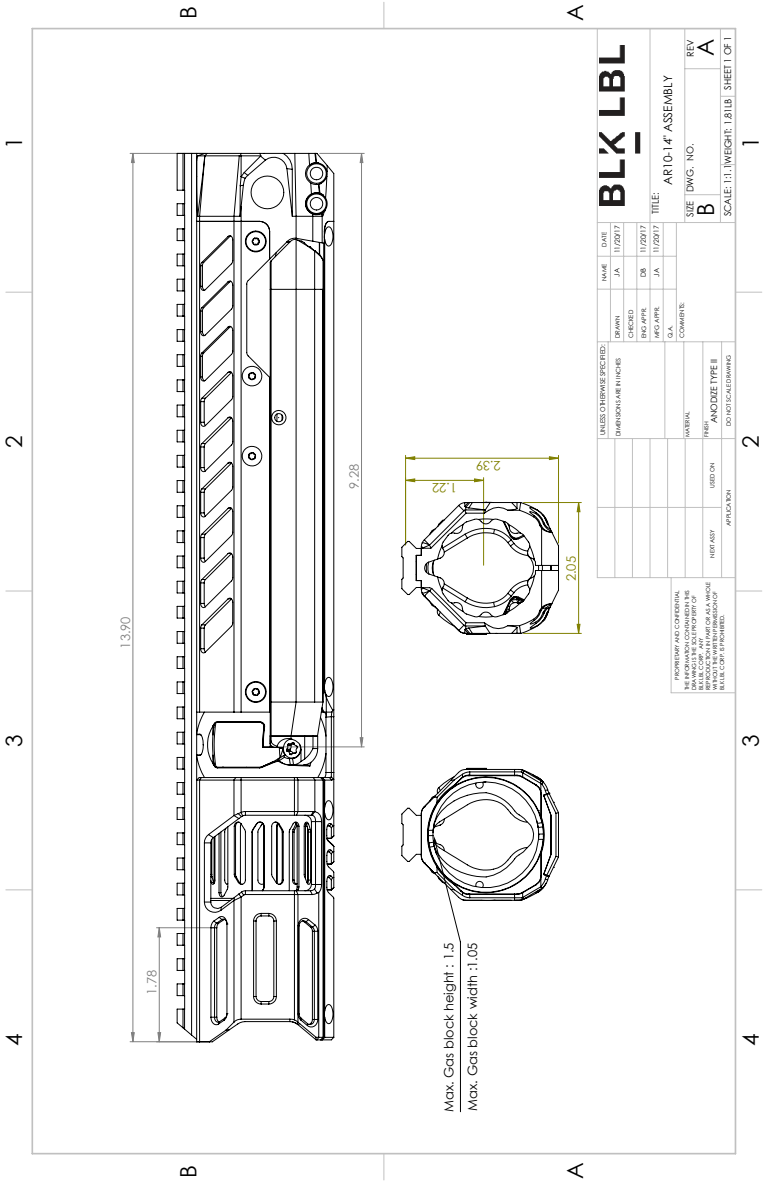
CLEANING

Clean as you would your rifle. Never use corrosive cleaning products as these can severely damage the aluminum.

If your bipod gets dirty, feel free to wash it with water, dish soap, or mild degreaser, then restore it with gun oil.

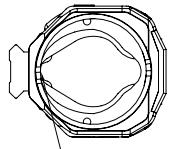
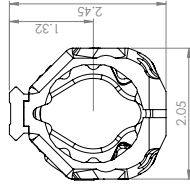
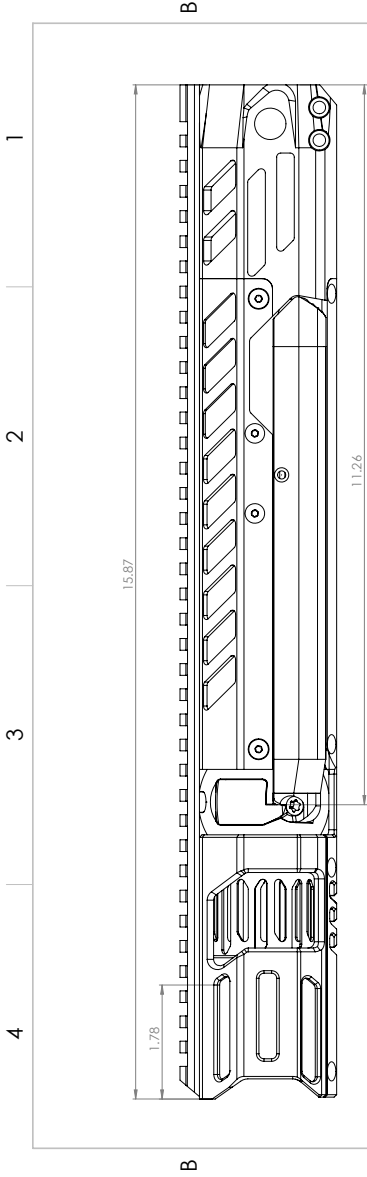


Critical Dimensions



BLK LBL	
NAME: JA	DATE: 11/2017
DRAWN:	11/2017
CHECKED:	11/2017
APPR'D:	11/2017
DATE:	11/2017
TITLE:	ARI-1.4" ASSEMBLY
SIZE:	DWG. NO.
B	A
REV:	A
COMMENTS:	SCALE: (1:1) WEIGHT: 1.81LB SHEET 1 OF 1
DIMENSIONS:	DO NOT SCALE DRAWING
APPR'D:	1
2	3
4	4

APPROVED FOR CONSTRUCTION
 THE RESEARCH CORPORATION
 3800 S. STATE ST., SUITE 200
 DENVER, CO 80202
 PHONE: (303) 755-1000
 FAX: (303) 755-1001
 WWW.RESEARCHCORP.COM



Max. Gas block height : 1.5
 Max. Gas block width : 1.05

UNDESIGNER/REVISIONS:		NAME	DATE	BLK LBL
DESIGNER	DATE	JA	10/2017	
DRAWN	DATE	JA	10/2017	
CHECKED	DATE	JA	10/2017	
APPROVED	DATE	JA	10/2017	
COMMENTS:		G.A.		TITLE: ARI(D)-6' ASSEMBLY
MATERIAL:		SIZE		DWG. NO. B
PART:		ANODIZE TYPE II		REV A
APPLICATION:		SCALE: 1:1		WEIGHT: 1.81LB
PART NO.:		SHEET OF 1		



Lifetime Warranty

We want our customers to be happy so our lifetime warranty is simple; if your BLK LBL bipod is defective or ever fails due to quality or workmanship just return it to us and we will fix it or replace it. Obviously we cannot cover negligent or abusive use of our product, but if you happen to drive over it with your truck or drop it off a cliff, send it to us and we will do our best to fix it for a reasonable cost. Our warranty, of course, only covers the BLK LBL bipod and not any accessories mounted to it nor the firearm to which it is mounted.