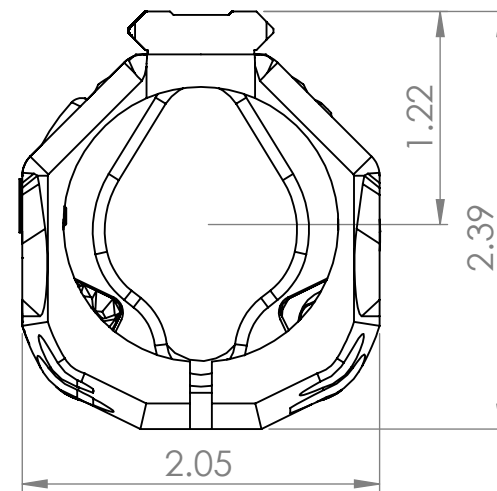
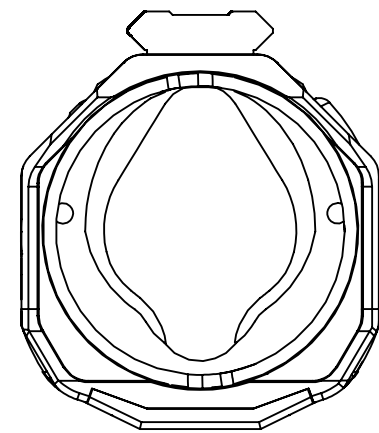
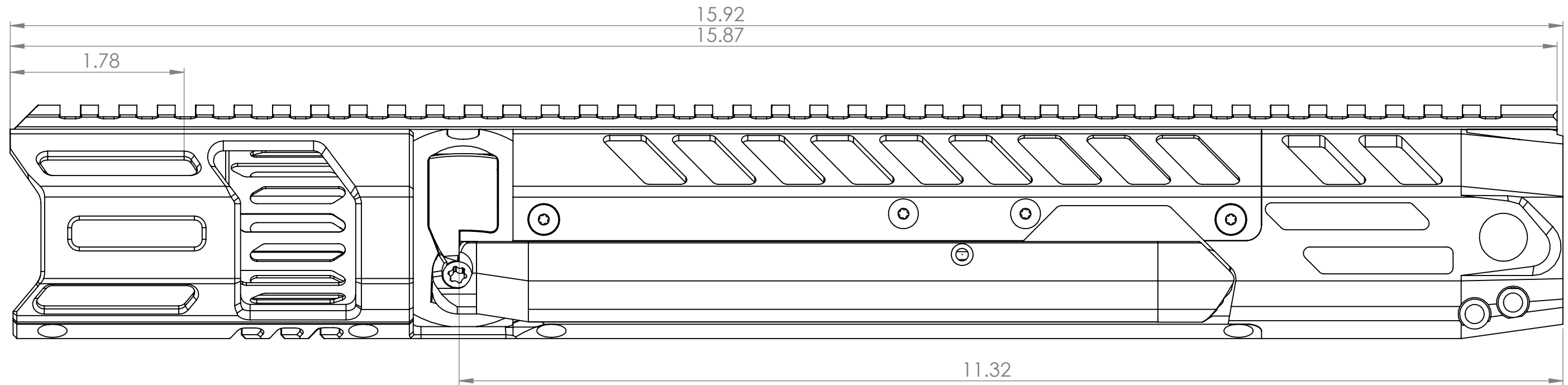


4

3

2

1



PROPRIETARY AND CONFIDENTIAL  
 THE INFORMATION CONTAINED IN THIS  
 DRAWING IS THE SOLE PROPERTY OF  
 BLK LBL CORP. ANY  
 REPRODUCTION IN PART OR AS A WHOLE  
 WITHOUT THE WRITTEN PERMISSION OF  
 BLK LBL CORP. IS PROHIBITED.

		UNLESS OTHERWISE SPECIFIED:	NAME	DATE
		DIMENSIONS ARE IN INCHES	DRAWN	JA 11/20/17
			CHECKED	
			ENG APPR.	DB 11/20/17
			MFG APPR.	JA 11/20/17
			Q.A.	
			COMMENTS:	
		MATERIAL		
		FINISH		
NEXT ASSY	USED ON	ANODIZE TYPE II		
APPLICATION		DO NOT SCALE DRAWING		

**BLK LBL**

TITLE:  
TIKKA T3X TAC A1-16" ASSEM

SIZE DWG. NO. REV  
B A

SCALE: 1:1.1 WEIGHT: 1.81LB SHEET 1 OF 1

4

3

2

1

B

B

A

A