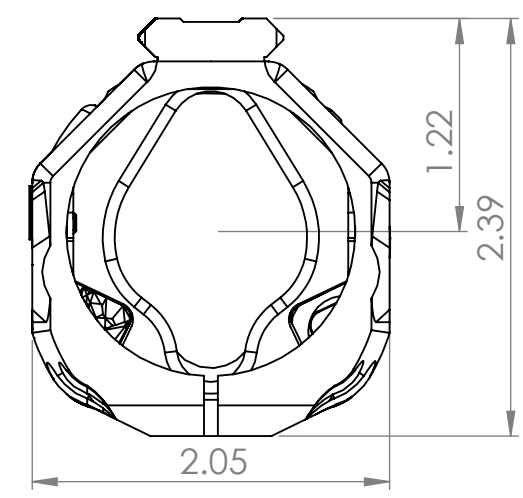
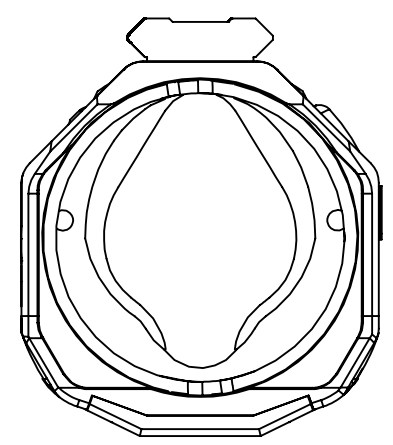
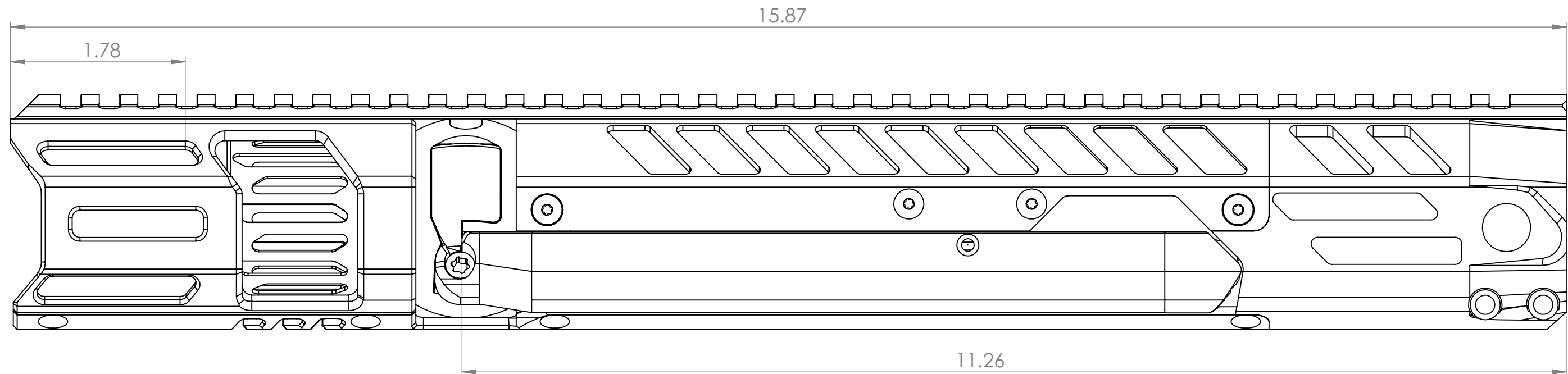


4

3

2

1



PROPRIETARY AND CONFIDENTIAL
 THE INFORMATION CONTAINED IN THIS
 DRAWING IS THE SOLE PROPERTY OF
 BLK LBL CORP. ANY
 REPRODUCTION IN PART OR AS A WHOLE
 WITHOUT THE WRITTEN PERMISSION OF
 BLK LBL CORP. IS PROHIBITED.

		UNLESS OTHERWISE SPECIFIED:		NAME	DATE
		DIMENSIONS ARE IN INCHES	DRAWN	JA	11/20/17
			CHECKED		
			ENG APPR.	DB	11/20/17
			MFG APPR.	JA	11/20/17
			Q.A.		
			COMMENTS:		
		MATERIAL			
		FINISH			
NEXT ASSY	USED ON	ANODIZE TYPE II			
APPLICATION		DO NOT SCALE DRAWING			

BLK LBL

TITLE:
 RUGER PRECISION RIFLE 16" ASSEM

SIZE	DWG. NO.	REV
B		A

SCALE: 1:1.1 WEIGHT: 1.81LB SHEET 1 OF 1

4

3

2

1