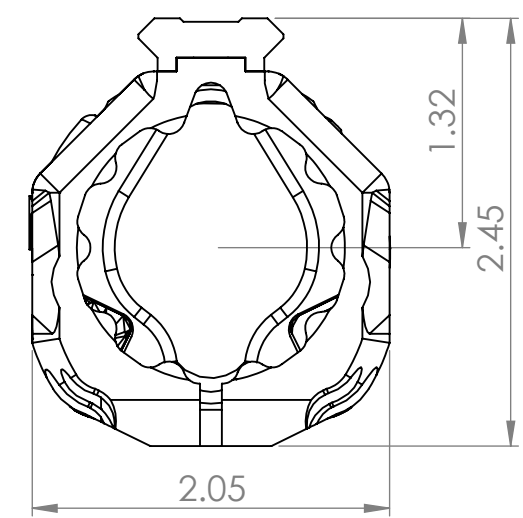
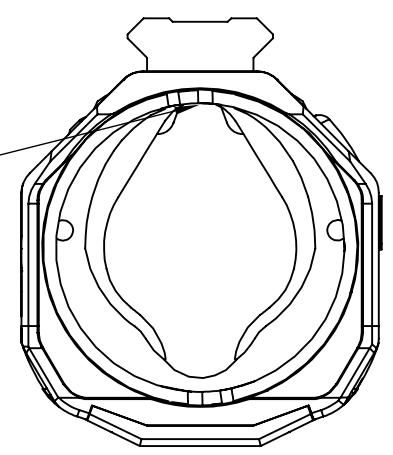
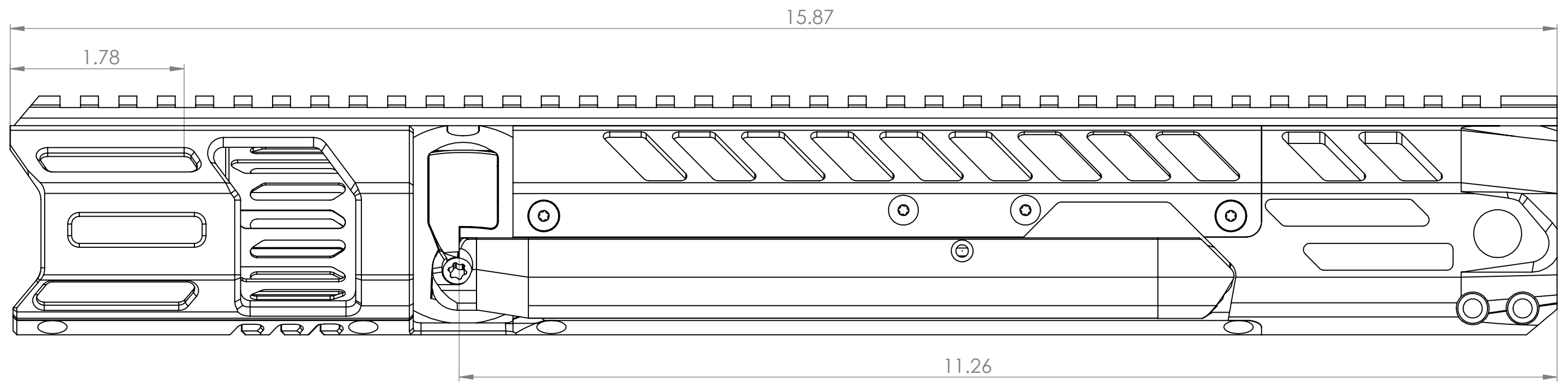


4

3

2

1



B

B

A

A

PROPRIETARY AND CONFIDENTIAL
THE INFORMATION CONTAINED IN THIS
DRAWING IS THE SOLE PROPERTY OF
BLK LBL CORP. ANY
REPRODUCTION IN PART OR AS A WHOLE
WITHOUT THE WRITTEN PERMISSION OF
BLK LBL CORP. IS PROHIBITED.

		UNLESS OTHERWISE SPECIFIED:		NAME	DATE
		DIMENSIONS ARE IN INCHES		DRAWN	JA 11/20/17
				CHECKED	
				ENG APPR.	DB 11/20/17
				MFG APPR.	JA 11/20/17
				Q.A.	
				COMMENTS:	
		MATERIAL			
		FINISH		ANODIZE TYPE II	
NEXT ASSY	USED ON				
APPLICATION		DO NOT SCALE DRAWING			

BLK LBL

TITLE: AR10-16" ASSEMBLY

SIZE	DWG. NO.	REV
B		A

SCALE: 1:1.1 WEIGHT: 1.81LB SHEET 1 OF 1

4

3

2

1