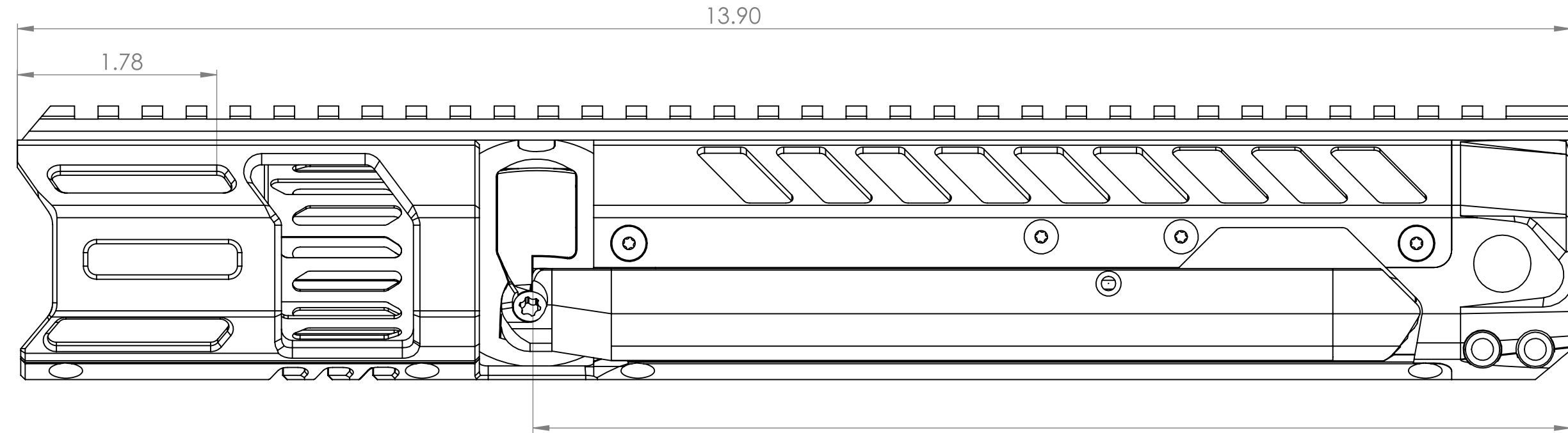


4

3

2

1



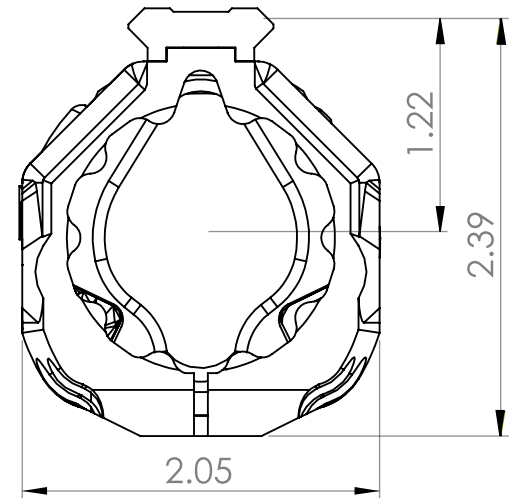
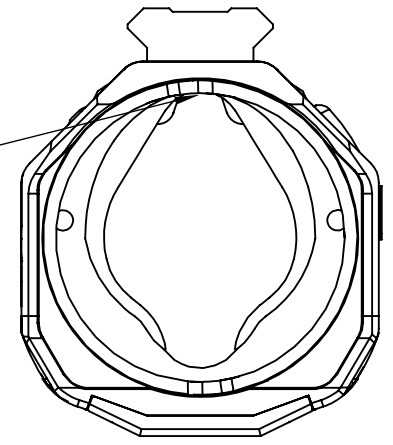
B

B

A

A

Max. Gas block height : 1.5  
 Max. Gas block width : 1.05



PROPRIETARY AND CONFIDENTIAL  
 THE INFORMATION CONTAINED IN THIS  
 DRAWING IS THE SOLE PROPERTY OF  
 BLK LBL CORP. ANY  
 REPRODUCTION IN PART OR AS A WHOLE  
 WITHOUT THE WRITTEN PERMISSION OF  
 BLK LBL CORP. IS PROHIBITED.

		UNLESS OTHERWISE SPECIFIED:		NAME	DATE
		DIMENSIONS ARE IN INCHES	DRAWN	JA	11/20/17
			CHECKED		
			ENG APPR.	DB	11/20/17
			MFG APPR.	JA	11/20/17
			Q.A.		
			COMMENTS:		
		MATERIAL			
		FINISH			
NEXT ASSY	USED ON	ANODIZE TYPE II			
APPLICATION		DO NOT SCALE DRAWING			

**BLK LBL**

TITLE: AR10-14" ASSEMBLY

SIZE	DWG. NO.	REV
B		A

SCALE: 1:1.1 WEIGHT: 1.81LB SHEET 1 OF 1

4

3

2

1