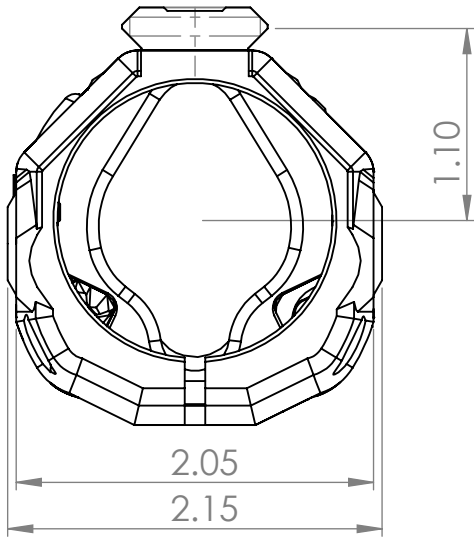
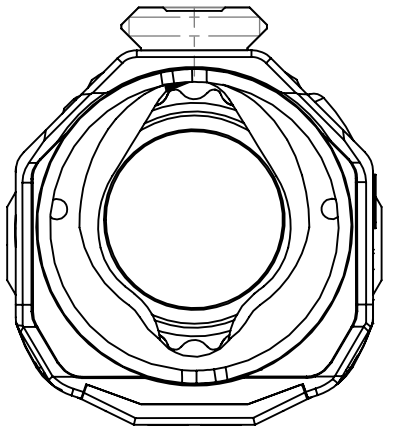
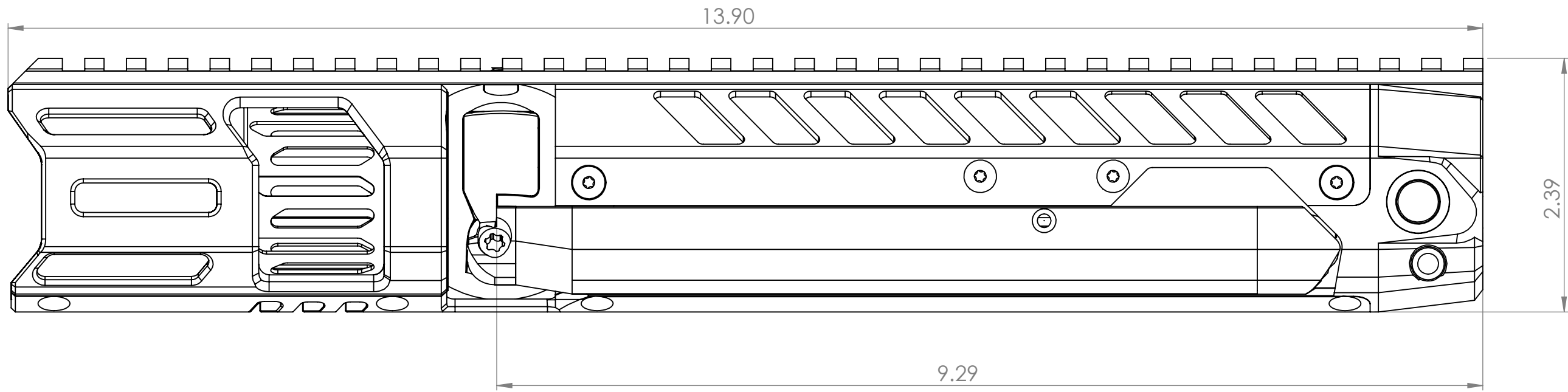


4

3

2

1



B

B

A

A

4

3

2

1

PROPRIETARY AND CONFIDENTIAL
 THE INFORMATION CONTAINED IN THIS
 DRAWING IS THE SOLE PROPERTY OF
 BLK LBL CORP. ANY
 REPRODUCTION IN PART OR AS A WHOLE
 WITHOUT THE WRITTEN PERMISSION OF
 BLK LBL CORP. IS PROHIBITED.

| | | | | | |
|-------------|---------|-----------------------------|--|-----------------|-------------|
| | | UNLESS OTHERWISE SPECIFIED: | | NAME | DATE |
| | | DIMENSIONS ARE IN INCHES | | DRAWN | JA 12/12/17 |
| | | | | CHECKED | |
| | | | | ENG APPR. | DB 12/14/17 |
| | | | | MFG APPR. | JA 12/15/17 |
| | | | | Q.A. | |
| | | | | COMMENTS: | |
| | | MATERIAL | | | |
| | | FINISH | | ANODIZE TYPE II | |
| NEXT ASSY | USED ON | | | | |
| APPLICATION | | DO NOT SCALE DRAWING | | | |

BLK LBL

TITLE:
 TIKA T3X TAC-A1 BLK LBL ASSEM.14IN

| | | |
|------|----------|-----|
| SIZE | DWG. NO. | REV |
| B | | A |

SCALE: 1:1.1 WEIGHT: 1.6LB SHEET 1 OF 1